



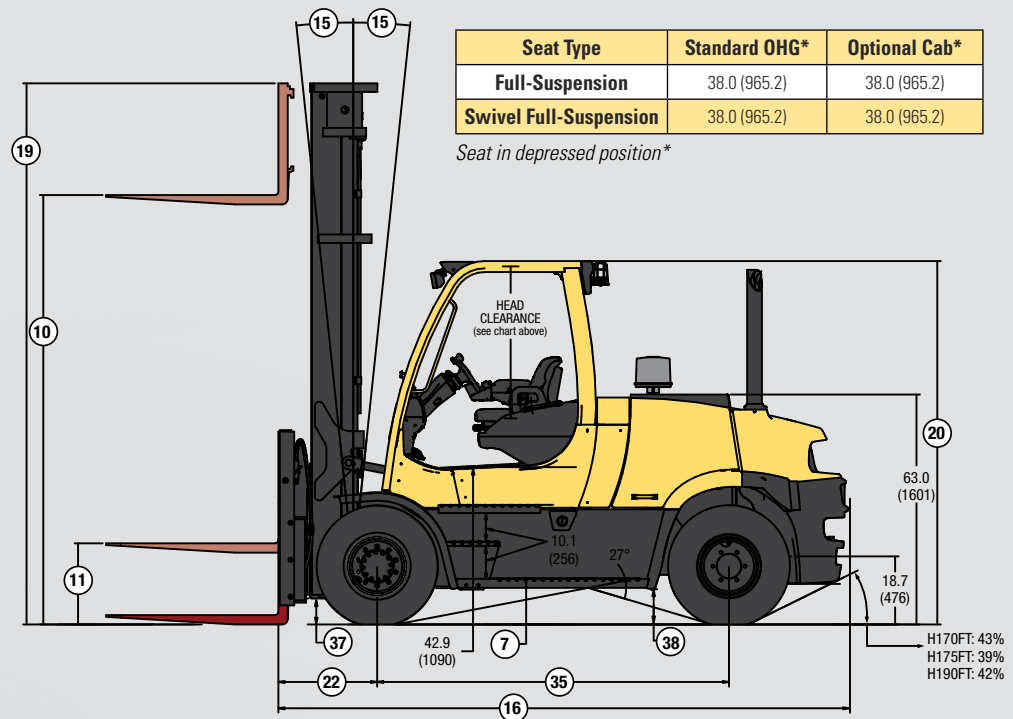
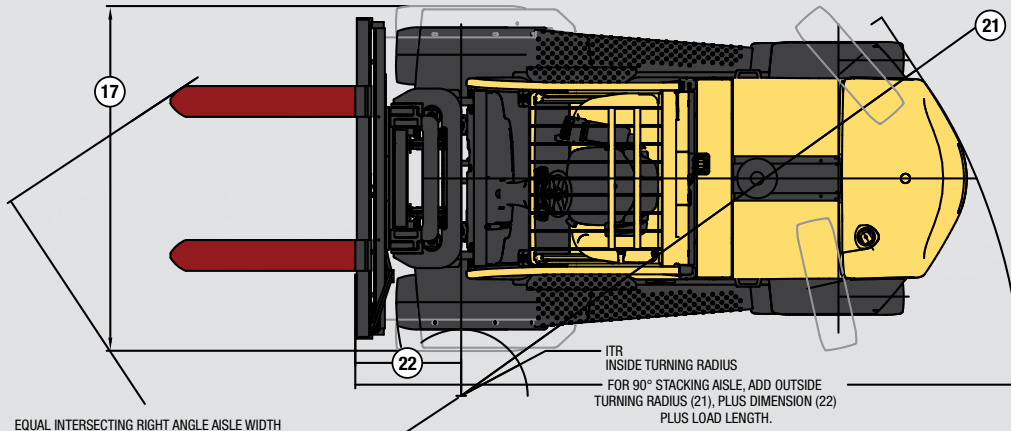
**STRONG PARTNERS.  
TOUGH TRUCKS.™**



## H170-190FT SERIES TECHNICAL GUIDE

[WWW.HYSTER.COM](http://WWW.HYSTER.COM)

# H170-190FT DIMENSIONS



Seat Type	Standard OHG*	Optional Cab*
Full-Suspension	38.0 (965.2)	38.0 (965.2)
Swivel Full-Suspension	38.0 (965.2)	38.0 (965.2)

Seat in depressed position\*

## H170-190FT MAST DIMENSIONS

Maximum Fork Height (TOF)	Overall Lowered Height	Overall Extended Height		Free-Lift (TOF)		Approx. Total Wt. of Std. Equipped Truck		
		w/ LBR	w/o LBR	w/ LBR	w/o LBR	H170 (NL)	H175FT (NL)	H190FT (NL)
in (mm)	in (mm)	in (mm)	in (mm)	in (mm)	in (mm)	lbs (kg)	lbs (kg)	lbs (kg)
<b>2-STAGE LIMITED FREE-LIFT (LFL) MAST</b>								
140 (3565)	117 (2962)	191 (4850)	186 (4725)	4 (105)	4 (105)	23361 (11050)	26592 (12062)	25395 (11519)
179 (4565)	137 (3462)	231 (5850)	226 (5725)	4 (105)	4 (105)	24590 (11154)	26821 (12166)	25624 (11623)
219 (5565)	156 (3962)	270 (6850)	265 (6725)	4 (105)	4 (105)	24822 (11259)	27053 (12271)	25856 (11728)
<b>3-STAGE FULL FREE-LIFT (FFL) MAST</b>								
181 (4615)	107 (2702)	240 (6077)	235 (5952)	56 (1440)	61 (1565)	25216 (11438)	27447 (12450)	26250 (11907)
234 (5965)	125 (3152)	293 (7427)	288 (7302)	74 (1890)	79 (2015)	25527 (11579)	27758 (12591)	26561 (12048)
<b>HEAVY DUTY 2-STAGE LIMITED FREE-LIFT (LFL) MAST</b>								
179 (4565)	137 (3462)	231 (5850)	226 (5725)	4 (105)	4 (105)	24943 (11314)	27174 (12326)	25977 (11783)
219 (5565)	156 (3962)	270 (6850)	265 (6725)	4 (105)	4 (105)	25344 (11496)	27575 (12508)	26378 (11965)
<b>HEAVY DUTY 3-STAGE FULL FREE-LIFT (FFL) MAST</b>								
258 (6565)	133 (3362)	317 (8037)	312 (7912)	82 (2090)	87 (2215)	26052 (11817)	33711 (15291)	27086 (12286)

RL = Rated Load NL = No Load

Note: H170-190FTX use standard 8.25 x 15 x 14 PR pneumatic drive tires @ 82.0 inch (2082 mm) overall width.

# H170-190FT SPECIFICATIONS

		Hyster Company						
		H170FT		H175FT		H190FT		
GENERAL	1 Manufacturer	Hyster Company						
	2 Model	H170FT		H175FT		H190FT		
	Engine	Kubota 3.8L 55kW	Kubota 3.8L 82kW	Kubota 3.8L 55kW	Kubota 3.8L 82kW	Kubota 3.8L 55kW	Kubota 3.8L 82kW	
	3 Rated Capacity	lb (kg)	17,000 (8,000)		17,500 (8,000)		19,000 (9,000)	
	4 Load Center, Distance	in (mm)	24 (600)		36 (900)		24 (600)	
	5 Engine/Power Type - Gasoline, LPG, Diesel		Diesel					
	6 Operator Type		Seated Rider					
	7a Step Height (from ground to running board)	in (mm)	12.6 (321)					
	7b Step Height (from running board to operator station)		10.1 (256)					
	8 Tire Type - Cushion, Solid, Pneumatic		Pneumatic					
DIMENSIONS	9a Wheels, Number - Front/Rear (X = driven)		4X/2					
	9b Track Width, Front	in (mm)	78.9 (2003)					
	9c Track Width, Rear	in (mm)	60.4 (1535)					
	10 Lift Height, w/LBR (TOF) (Rounded Down)	in (mm)	219 (5565)					
	11 Std Free Lift Height (TOF) (Rounded Down)	in (mm)	4 (105)					
	12 Standard Carriage Width	in (mm)	80 (2030) <sup>1</sup>					
	13 Standard Forks, Thickness x Width x Length	in (mm)	2.8 x 7.9 x 47.2 (65x200x1200)					
	14a Standard Fork Speed, Maximum Outside Dimensions	in (mm)	78.3 (1990)					
	14b Standard Fork Speed, Minimum Inside Dimensions	in (mm)	2.6 (65)					
	15 Mast Tilt, Forward/Backward	degrees	5/9 <sup>2</sup>					
PERFORMANCE	16 Overall Length to Face of Forks <sup>1</sup>	in (mm)	153 (3897)		159 (4038)		156 (3958)	
	17 Overall Width	in (mm)	88 (2239)					
	18 Height, Standard Mast - Lowered	in (mm)	156 (3962)					
	19a Height, Standard Mast - Extended w/o LBR (Rounded Up)	in (mm)	266 (6739)					
	19b Height, Standard Mast - Extended w/LBR (Rounded Up)	in (mm)	270 (6847)					
	20a Height, Standard Overhead Guard (High) (Rounded Up)	in (mm)	100 (2531)					
	20b Height, Standard Overhead Guard (Cab) (Rounded Up)	in (mm)	101 (2549)					
	21a Turning Radius, Minimum Outside (OTR)	in (mm)	145 (3673)		149 (3794)		147 (3723)	
	21b Turning Radius, Minimum Inside (ITR)	in (mm)	14.3 (362)					
	22 Length, Center of Wheels to Face of Forks <sup>2</sup>	in (mm)	24.2 (613.5)					
WT.	23a Aisle Width, Right Angle Stack (pallet w=42in, L=48in)	in (mm)	216.2 (5491)		221.0 (5613)		218.2 (5542)	
	23b Aisle Width, Right Angle Stack (Add Length of Load)	in (mm)	168.2 (4272)		173.0 (4394)		170.2 (4323)	
	24 90-Degree Intersecting Aisle (pallet W=42", L=48" Load)	in (mm)	120.2 (3053)		122.9 (3122)		121.3 (3081)	
	25a Travel Speed Fwd, RL/NL	mph (km/h)	12.0/13.1 (19.3/21.1)	13.4/14.5 (21.5/23.3)	11.9/13.1 (19.1/21.0)	13.3/14.4 (21.5/23.2)	11.9/13.0 (19.2/21.0)	13.4/14.4 (21.5/23.2)
	25c Travel Speed Rev, RL/NL	mph (km/h)	11.9/12.8 (19.1/20.5)	10.7/11.6 (17.2/18.6)	11.8/12.7 (19.0/20.5)	10.6/11.5 (17.1/18.6)	11.8/12.7 (19.1/20.5)	10.7/11.5 (17.2/18.5)
	26a Lift Speed, Standard 2-Stage LFL RL/NL	ft/min (m/s)	67/67 (.34/.34)	89/89 (.45/.34)	64/67 (.32/.34)	86/89 (.44/.34)	54/67 (.27/.34)	78/89 (.40/.34)
	26b Lift Speed, Optional 3-Stage FFL RL/NL	ft/min (m/s)	64/67 (.33/.34)	87/89 (.44/.34)	61/67 (.31/.34)	84/89 (.43/.34)	50/67 (.26/.34)	75/89 (.38/.34)
	27a Lowering Speed, Standard 2-Stage LFL RL/NL	ft/min (m/s)	81/73 (.41/.37)					
	27b Lowering Speed, Optional 3-Stage FFL RL/NL	ft/min (m/s)	77/65 (.39/.33)					
	28a Drawbar Pull @ Maximum RL/NL	lb (kg)	12000/7213 (5443/3272)	12000/7213 (5443/3272)	12000/7213 (5443/3272)	12000/7213 (5443/3272)	12000/7213 (5443/3272)	12000/7213 (5443/3272)
28b Drawbar Pull @ 1 mph RL/NL	lb (kg)	11445/7213 (5192/3272)	12000/7213 (5443/3272)	11401/7213 (5171/3272)	12000/7213 (5443/3272)	11433/7213 (5186/3272)	12000/7213 (5443/3272)	
28d Drawbar Pull @ 3 mph RL/NL	lb (kg)	4444/7213 (2016/3272)	8034/7213 (3644/3272)	4399/7213 (1996/3272)	7989/7213 (3624/3272)	4431/7213 (2010/3272)	8021/7213 (3638/3272)	
29a Maximum Gradeability RL/NL	%	29/29	29/29	27/29	27/29	27/29	27/29	
29b Gradeability @ 1 mph RL/NL	%	27/29	29/29	26/29	27/29	25/29	27/29	
29d Gradeability @ 3 mph RL/NL	%	11/29	19/29	10/29	18/29	10/29	18/29	
WHEELS/TIRES	30a Weight, Standard Truck NL	lb (kg)	24824 (11260)		26782 (12148)		25857 (11729)	
	30b Weight, Standard Truck RL	lb (kg)	41824 (18971)		44280 (20085)		44857 (20347)	
	31a Axle Loading, Static Front/Rear NL	lb (kg)	12022/12800 (5453/5806)		11367/15415 (5156/6992)		11693/14162 (5304/6424)	
	31b Axle Loading, Static Front/Rear RL	lb (kg)	37509/4314 (17014/1957)		39778/4502 (18043/2042)		40179/4678 (18225/2122)	
	32 Tire Size, Front		8.25 X 15 14PR					
	33 Tire Size, Rear		8.25 X 15 14PR					
	34 Wheelbase	in (mm)	96.5 (2450)					
	35 Ground Clearance Under Mast, RL	in (mm)	6.4 (163)					
	36 Ground Clearance, Center of Wheelbase	in (mm)	10.0 (253)					
	37 Service Brake - Method of Control/Operation		Foot / Hydraulic					
POWERTRAIN	38 Park Brake - Method of Control/Operation		Hand / Mechanical					
	39 Battery Type		Maintenance Free					
	40 Volts / Cold Cranking Amps	v/cca	12V/1800 (2x 900)					
	41 Engine Manufacturer		Kubota 3.8L Turbo Diesel					
	42 Engine Power @ Governed Speed	hp (kw)	74 (55) @ 2200RPM	110 (82) @ 2400RPM	74 (55) @ 2200RPM	110 (82) @ 2400RPM	74 (55) @ 2200RPM	110 (82) @ 2400RPM
	43 Torque @ Rated RPM	ft lbs (Nm)	227 (309) @ 1400RPM	373 (275) @ 1600RPM	227 (309) @ 1400RPM	373 (275) @ 1600RPM	227 (309) @ 1400RPM	373 (275) @ 1600RPM
	44 Number of Cylinders / Displacement	No/cc (ci)	4/3769 (230)					
	45 Transmission Type, Standard		Powershift					
	46 Standard Speeds, Forward/Reverse		3/2					
	47 Hydraulic Tank Capacity (Drain and Refill)	gal (liter)	19.0 (71.7)					
48 Fuel Tank Capacity	gal (liter)	19.7 (74.8)						
49 Auxiliary Hydraulic Pressure Relief for Attachments	PSI (Mpa)	2250 (155)						

**CERTIFICATION:** Hyster lift trucks meet the design and construction requirements of B56.1-1969, per OSHA Section 1910.178(a)(2), and also comply with the B56.1 revision in effect at time of manufacture.

**NOTE:** Performance specifications / ratings are for truck equipped as described under Standard Equipment in this technical guide. Performance specifications are affected by the condition of the vehicle and how it is equipped, as well as by the nature and condition of the operating area. Specifications are subject to change and the proposed application should be discussed with your authorized Hyster Company Dealer.

+ Add 2" (51mm) for 3-stage mast

<sup>1</sup> Carriage is 80" wide, load backrest is 82" wide.  
<sup>2</sup> Back tilt limited to 6 degrees with some mast options.

## STANDARD FEATURES AND OPTIONS

### STANDARD

- Kubota 3.8L EPA Certified Tier 4 Final DOC Turbodiesel Engine
- DuraMatch™ transmission
  - Electronic inching
  - Electronic shift control
  - Auto deceleration system
  - Controlled power reversal
  - Controlled roll back on ramps
  - 3 speeds forward, 2 speeds reverse
- Oil-cooled wet disc brakes
- MONOTROL® pedal
- 2-Stage limited free-lift (LFL) VISTA™ mast with maximum fork height of 219" (5,565 mm)
- 80" (2,030 mm) wide hook-type carriage with 48" (1,219) tall load backrest extension
- 47.2" (1,200 mm) long hook type standard taper pallet forks
- 5 degrees forward and 9 degrees backward mast tilt
- 3-function hydraulic control valve
- Integrated dashboard display
  - LCD display:
    - Fuel level
    - Hour meter
    - Coolant temperature
    - Clock
    - Messages
  - Service indicator lights:
    - Alternator
    - Transmission oil temperature
    - Engine oil pressure
    - Brake fluid level
    - Fasten seat belt
    - Low fuel level
    - Engine malfunction
    - System malfunction
    - Park brake
    - Coolant temperature
    - Forward, reverse and neutral direction indicators

- Hydrostatic power steering
- Full-suspension vinyl seat
- Electronic horn
- Adjustable steer column
- Rubber floor mat
- Air intake with precleaner
- Integral tie downs
- Operator restraint system
- Combi-cooler radiator
- Single pedal inch brake
- TouchPoint hydraulic mini-levers with fully adjustable armrest
- Side view mirrors
- Operator presence system
- 100" (2,531 mm) tall overhead guard
- 12 months / 2,000 hours manufacturer's warranty
- 24 months / 4,000 hours manufacturer's powertrain warranty
- Operator's manual
- UL Classification D


### OPTIONS

- Kubota 3.8L EPA Certified Tier 4 Final High Output (110 HP) Turbodiesel Engine
- Powertrain protection system
- Premium monitoring
- Accumulator
- Keyless start (with auxiliary key switch)
- Return to set tilt
- Rear drive handle with horn button
- Full suspension seat - cloth
- Swivel full-suspension seat - vinyl or cloth
- High-visibility non-cinch seat belt with or without interlock
- Impact monitor with immediate or delayed shutdown
- Load weight display
- Operator pre-shift checklist
- Dual-inch brake pedals
- Operator password protection
- Audible reverse activated 82-102 dB(A) self-adjusting alarm
- Visible amber LED strobe light - continuously activated, overhead guard mounted
- Various light packages:
  - Two front and one rear halogen work lights
  - Two front and one rear LED work lights
  - Two front, one rear halogen work light and two LED brake/tail/back-up lights
- Cab includes:
  - Front and rear wiper
  - Full light package
  - Integral heater
  - Defogger
  - Removable doors
  - Operator dome light
  - Fan
- Parts publications - printed or CD, serial number specific
- UL Classification D, DS



Hyster Company  
P.O. Box 7006  
Greenville, North Carolina  
27835-7006  
Part No. H170-190FT/TG  
9/2017 Litho in U.S.A.

Visit us online at [www.hyster.com](http://www.hyster.com) or call us at 1-800-HYSTER-1.

Hyster, , and STRONG PARTNERS. TOUGH TRUCKS. and MONOTROL are registered trademarks in the United States and certain other jurisdictions. Hyster products are subject to change without notice.

Trucks may be shown with optional equipment. © 2017 Hyster Company. All rights reserved.